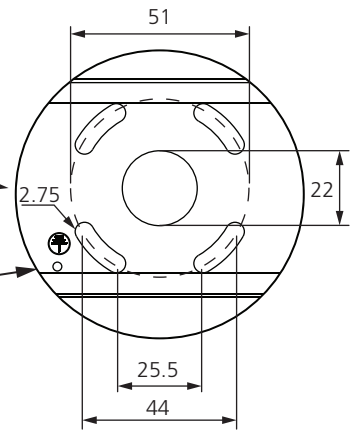
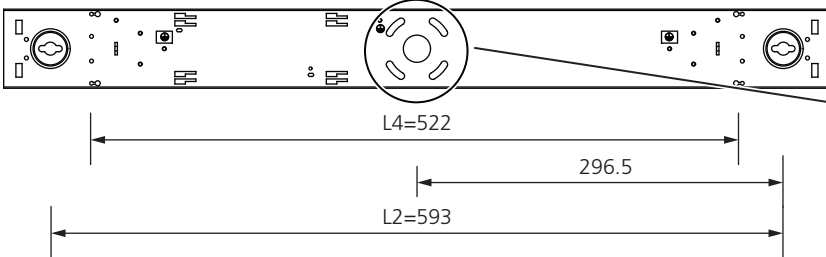
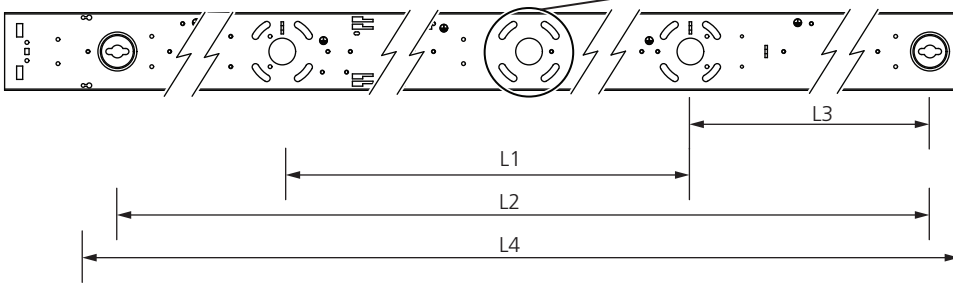


	L	W	H
600	672	70	76.5
1200	1220	70	76.5
1500	1523	70	76.5

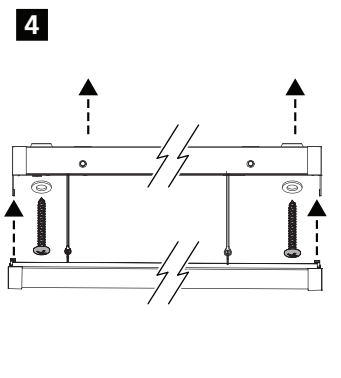
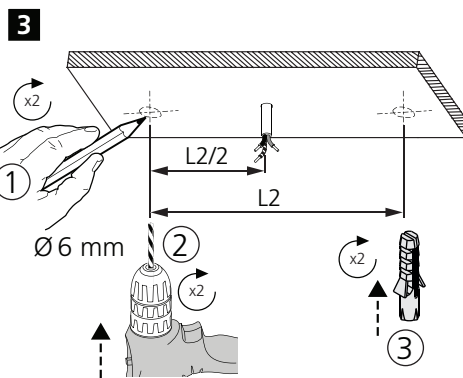
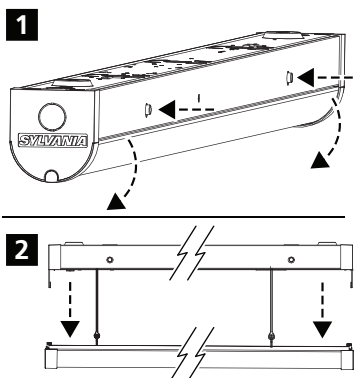
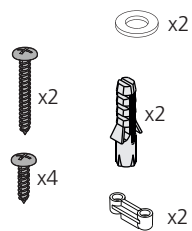
**L600**



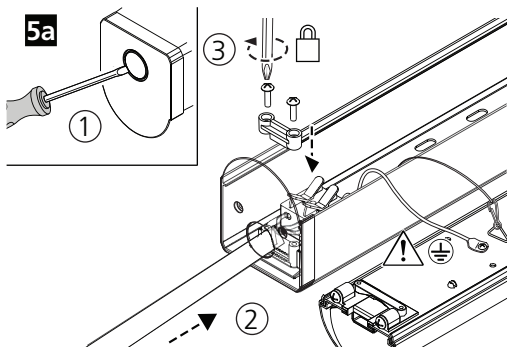
**L1200/1500**



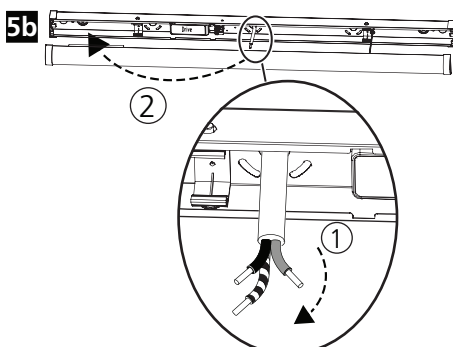
	L1	L2	L3	L4
1200	605	1027	211	1083
1500	605	1330	362.5	1378



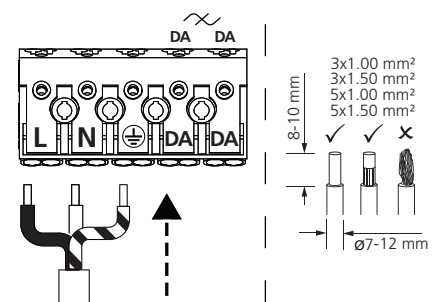
**5a**

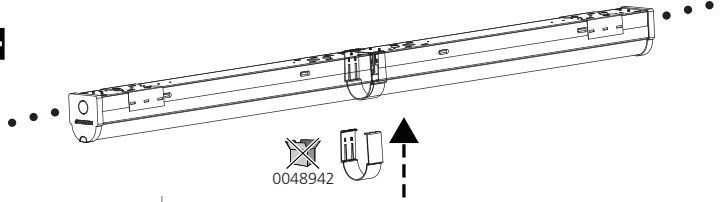
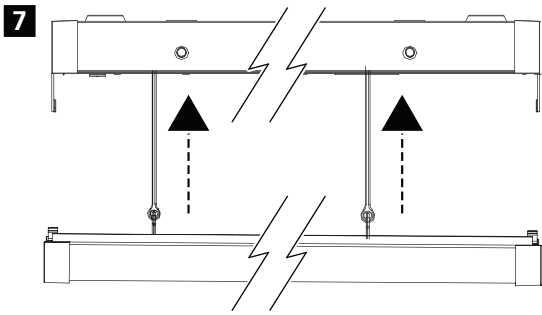


**5b**

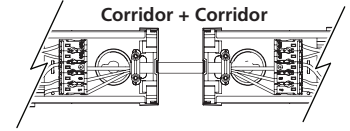


**6** AC 230-240V + corridor

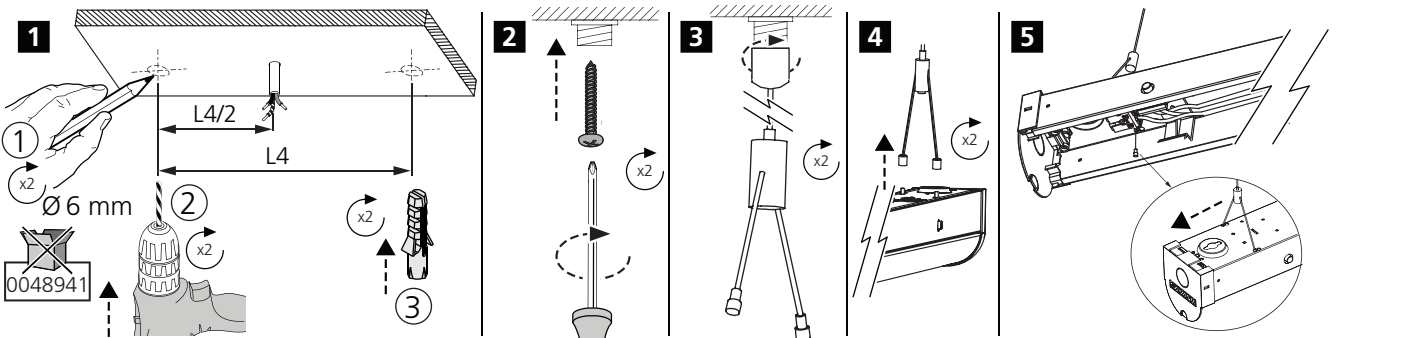
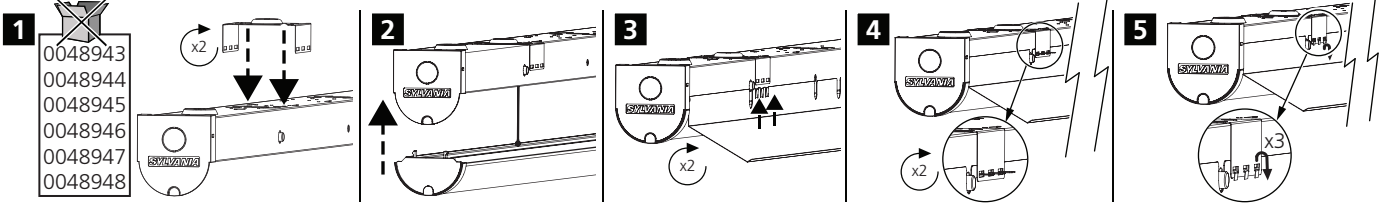
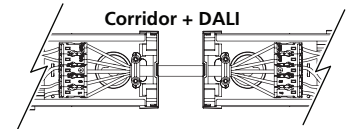




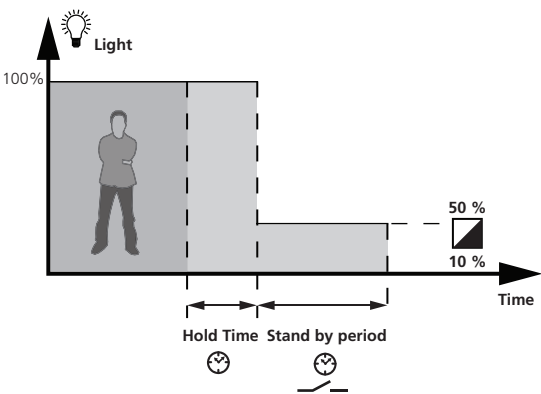
Max. luminaires	3x1.50 mm <sup>2</sup>
600mm 10W	73
600mm 20W	31
1200mm 24W	28
1200mm 41W	16
1500mm 38W	17
1500mm 61W	11



Corridor + DALI	
Max Master+Slave	
600mm 10W	19
600mm 20W	9
1200mm 24W	8
1200mm 41W	4
1500mm 38W	5
1500mm 61W	3



**!** Corridor



**!** Corridor

ON  OFF

Detection Area

I	<input checked="" type="radio"/>	100%
II	<input type="radio"/>	-

Hold Time

I	<input checked="" type="radio"/>	30S
II	<input type="radio"/>	1min
III	<input type="radio"/>	5min
IV	<input type="radio"/>	10min

Daylight Sensor

I	<input checked="" type="radio"/>	Disable
II	<input type="radio"/>	50Lux
III	<input type="radio"/>	10Lux
IV	<input type="radio"/>	2Lux

Stand-by Period

I	<input checked="" type="radio"/>	0S
II	<input type="radio"/>	5min
III	<input type="radio"/>	10min
IV	<input type="radio"/>	+∞

Stand-by Dimming level

I	<input checked="" type="radio"/>	10%
II	<input type="radio"/>	20%
III	<input type="radio"/>	30%
IV	<input type="radio"/>	50%

